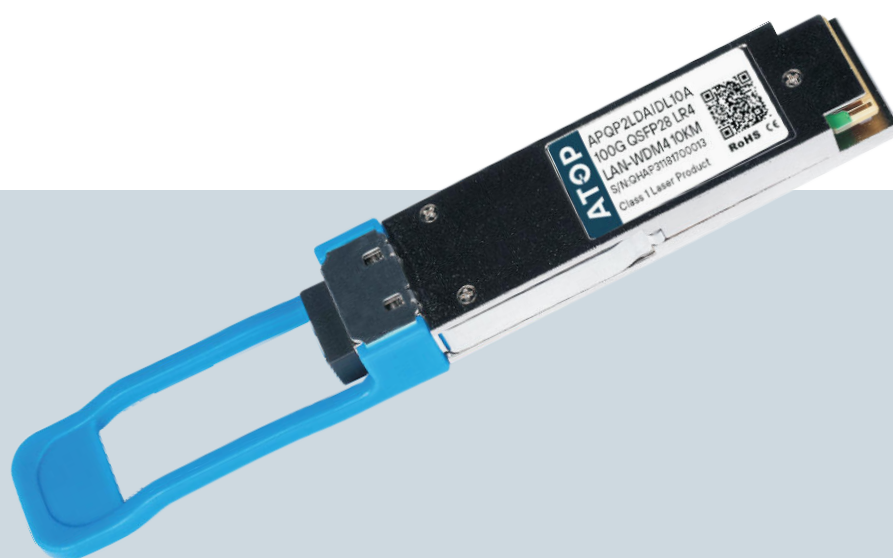




# 100G QSFP28 LR4 Transceiver

APQP2LDAIDL10A



# 100G QSFP28 LR4 Transceiver

APQP2LDAIDL10A

## Product Features

- ✓ 4 LAN-WDM lanes MUX/DEMUX design
- ✓ 4 independent full-duplex channels up
- ✓ To 25Gbps data rate per wavelength
- ✓ Hot-pluggable QSFP28 footprint
- ✓ RoHS compliant and Lead Free
- ✓ Up to 10km link length
- ✓ Power dissipation <5W (-40~85°C)
- ✓ Industrial operating temperature

## Applications

- ✓ 100GBASE-LR4
- ✓ 100GEthernet



## Product Selection

Part Number	Operating Case temperature	DDMI
APQP2LDAIDL10A	Industrial(-40~85°C)	Yes

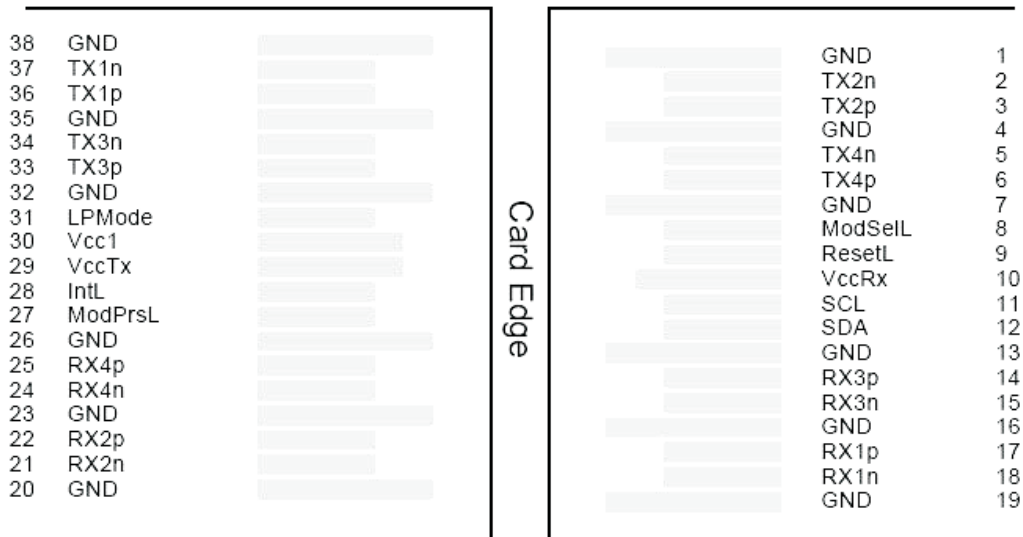
## Regulatory Compliance

- ESD to the Electrical PINs: compatible with MIL-STD-883 Method 3015
- ESD to the Duplex LC Receptacle: compatible with EN 61000-4-2
- Immunity compatible with EN 61000-4-3
- EMI compatible with FCC Part 15 Class B
- Laser Eye Safety compatible with FDA 21CFR 1040.10 and 1040.11 IEC 60950, IEC60825-1,2
- RoHS compliant with RoHS 2.0(2015/863/EU)-amending.

## Pin Descriptions

Pin	Symbol	Name	Ref.
1	GND	Ground	
2	Tx2n	Transmitter Inverted Data Input, CML-I	
3	Tx2p	Transmitter Non-Inverted Data output, CML-I	
4	GND	Ground	
5	Tx4n	Transmitter Inverted Data Input, CML-I	
6	Tx4p	Transmitter Non-Inverted Data output, CML-I	
7	GND	GND	
8	ModSelL	<p>The ModSelL is an input pin. When held low by the host, the module responds to 2-wire serial communication commands. The ModSelL allows the use of multiple QSFP+ modules on a single 2-wire interface bus. When the ModSelL is "High", the module shall not respond to or acknowledge any 2-wire interface communication from the host. ModSelL signal input node must be biased to the "High" state in the module</p>	
9	ResetL	<p>The ResetL pin must be pulled to Vcc in the QSFP+ module. A low level on the ResetL pin for longer than the minimum pulse length (t_Reset_init) initiates a complete module reset, returning all user module settings to their default state. Module Reset Assert Time (t_init) starts on the rising edge after the low level on the ResetL pin is released.</p>	
10	VccRx	+ 3.3V Power Supply Receiver	
11	SCL	2-Wire Serial Interface Clock	
12	SDA	2-Wire Serial Interface Data	
13	GND	GND	
14	Rx3p	Receiver Non-Inverted Data Output, CML-O	
15	Rx3n	Receiver Inverted Data Output, CML-O	
16	GND	GND	
17	Rx1p	Receiver Non-Inverted Data Output, CML-O	
18	Rx1n	Receiver Inverted Data Output, CML-O	
19	GND	Ground	
20	GND	Ground	
21	Rx2n	Receiver Inverted Data Output, CML-O	
22	Rx2p	Receiver Non-Inverted Data Output, CML-O	
23	GND	Ground	
24	Rx4n	Receiver Inverted Data Output, CML-O	
25	Rx4p	Receiver Non-Inverted Data Output, CML-O	
26	GND	Ground	
27	ModPrsL	Module Present, connect to GND	

Pin	Symbol	Name	Ref.
28	IntL	The IntL pin is an open collector output and must be pulled to host supply voltage on the host board. The INTL pin is de-asserted "High" after completion of reset, when byte 2 bit 0 (Data Not Ready) is read with a value of '0' and the flag field is read.	
29	VccTx	+3.3 V Power Supply transmitter	
30	Vcc1	+3.3 V Power Supply	
31	LPMoDe	The LPMoDe pin shall be pulled up to Vcc in the QSFP+ module. This function is affected by the LPMoDe pin and the combination of the Power_over-ride and Power_set softwarecontrol bits (Address A0h, byte 93 bits 0,1).	
32	GND	Ground	
33	Tx3p	Transmitter Non-Inverted Data Input, CML-I	
34	Tx3n	Transmitter Inverted Data Output, CML-I	
35	GND	Ground	
36	Tx1p	Transmitter Non-Inverted Data Input, CML-I	
37	Tx1n	Transmitter Inverted Data Output, CML-I	
38	GND	Ground	

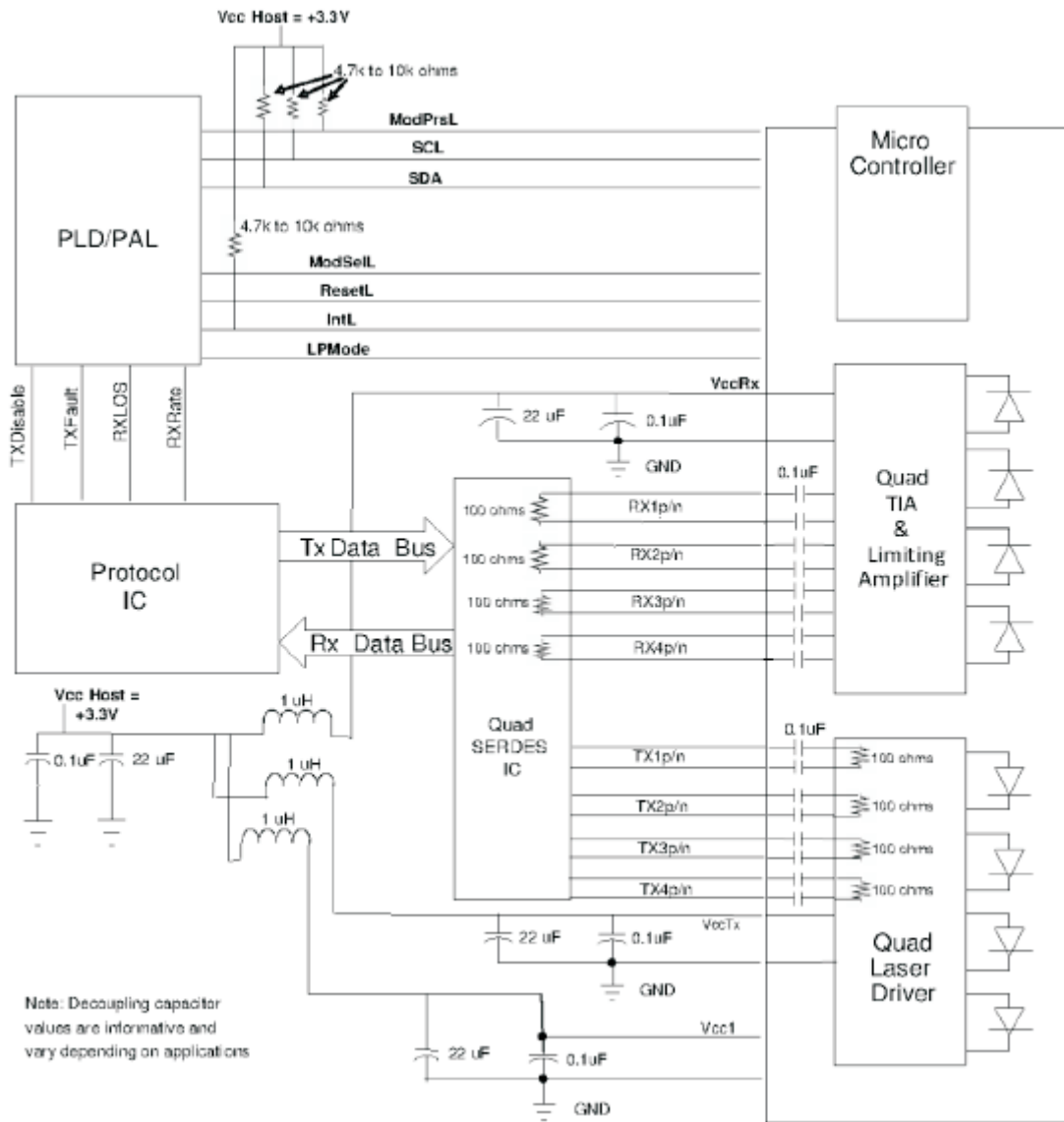


Top Side  
Viewed from Top

Bottom Side  
Viewed from Bottom

Pin-out of Connector Block on Host Board

## Recommend Circuit Schematic



## Absolute Maximum Ratings

Parameter	Symbol	Min	Typ	Max	Unit	Ref.
Maximum Supply Voltage	Vcc	-0.5		+4.0	V	
Storage Temperature	TS	-40		+85	°C	
Operating Humidity	RH	0		85	%	

## Recommended Operating Conditions

Parameter	Symbol	Min	Typ	Max	Unit	Ref.
Power Supply Voltage	Vcc	3.13	3.30	3.47	V	
Power Supply Current	Icc	-	-	1.51	A	
Operating Case Temperature	Tc	-40	-	+85	°C	
Signaling rate, each lane	Br		25.78		Gbps	
9/125um G.652 SMF	Lmax	-	-	10	km	

## Electrical Characteristics

Parameter	Symbol	Min	Typ	Max	Unit	Ref.
<b>Transmitter</b>						
Input differential impedance	Rin	90	100	110	Ω	1
Differential data input swing	V <sub>in</sub> , pp	95	-	900	mV	
TX Disable-High	-	V <sub>cc</sub> -0.8	-	V <sub>cc</sub>	V	
TX Disable-Low	-	V <sub>ee</sub>	-	V <sub>ee</sub> +0.8	V	
TX Fault-High	-	V <sub>cc</sub> -0.8	-	V <sub>cc</sub>	V	
TX Fault-Low	-	V <sub>ee</sub>	-	V <sub>ee</sub> +0.8	V	
<b>Receiver</b>						
Output Differential Impedance	Rin	90	100	110	Ω	1
Differential Data Output Swing	V <sub>out</sub> , pp	-	-	900	mV	2
LOS-High	-	V <sub>cc</sub> -0.8		V <sub>cc</sub>	V	
LOS-Low	-	V <sub>ee</sub>		V <sub>ee</sub> +0.8	V	

### Notes:

1. AC coupled.
2. Into 100 ohm differential termination.

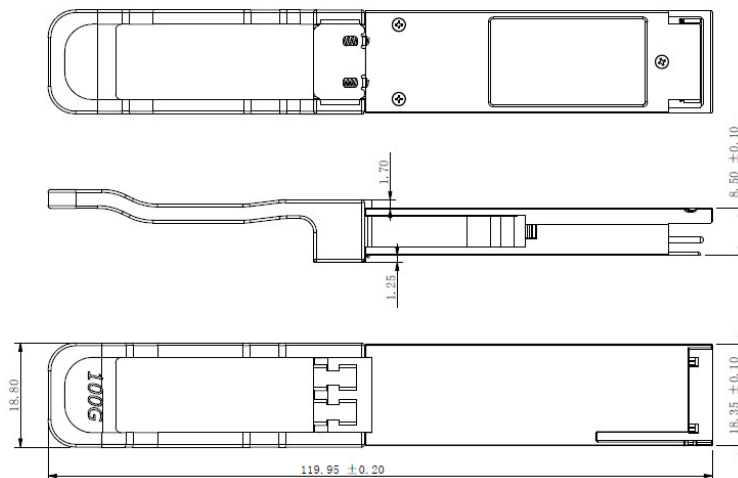
## Optical Characteristics

Parameter	Symbol	Min	Typ	Max	Unit	Ref.
<b>Transmitter</b>						
Total Average Launch Power	PT			10.5	dBm	
Average Launch Power, each Lane		-4.3		4.5	dBm	
Optical Modulation Amplitude, each Lane	OMA	-1.3		+4.5	dBm	
Optical Wavelength	L0	1294.53	1295.56	1296.59	nm	
	L1	1299.02	1300.05	1301.09	nm	
	L2	1303.54	1304.58	1305.63	nm	
	L3	1308.09	1309.14	1310.19	nm	
Side-mode Suppression Ratio	SMSR	30			dB	
Extinction Ratio	ER	4			dB	
<b>Receiver</b>						
RX Sensitivity(OMA)	SENS	-	-	-8.6	dBm	1
Receiver Overload		4.5	-	-	dBm	
LOS De-Assert	LOSD	-	-	-12	dBm	
LOS Assert	LOSA	-25	-	-	dBm	
LOS Hysteresis	-	0.5	-	-	dB	

Notes:

1. Measured with PRBS 2<sup>31</sup>-1 at 1E-12 BER.

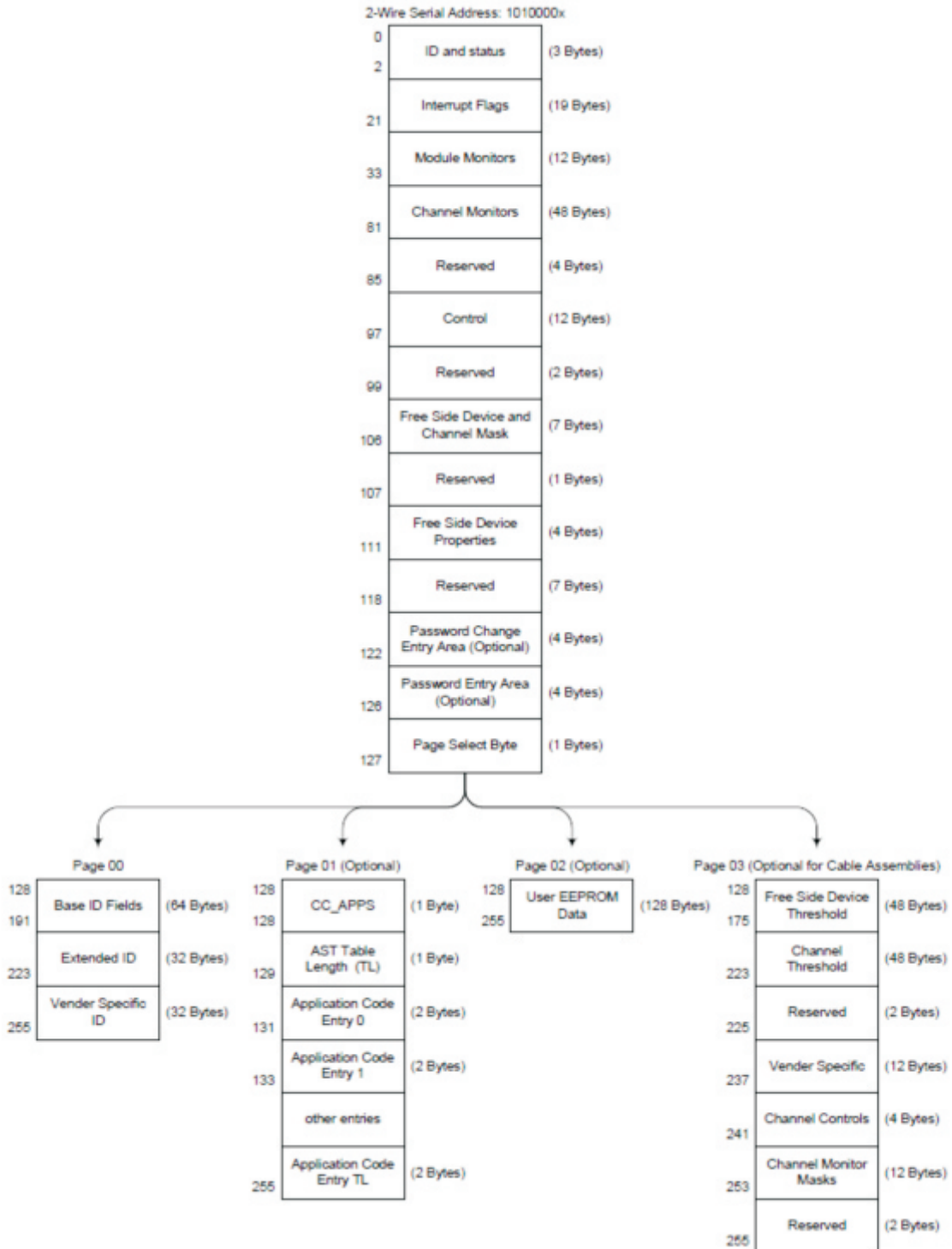
## Mechanical Specifications



APQP2LDAIDL10A

## EEPROM Information

- EEPROM memory map specific data field description is as below:





## Digital Diagnostic Monitoring Interface

Five transceiver parameter values are monitored. The following table defines the monitoring parameter's accuracy.

Parameter	Range	Accuracy	Calibration
Temperature	-40 to +85°C	±3°C	Internal
Voltage	2.97 to 3.63V	±3%	Internal
Bias Current	0 to 100mA	±10%	Internal
TX Power	-4.3 to 4.5dBm	±3dB	Internal
RX Power	-12 to 4.5dBm	±3dB	Internal

## Revision History

Revision	Initiated	Reviewed	Approved	DCN	Release Date
Version1.0	Tang Rong	Liu Changjun	Dingzheng	New Released.	Sep 07, 2021



let's make it personal

[atoptechnology.com](https://atoptechnology.com)